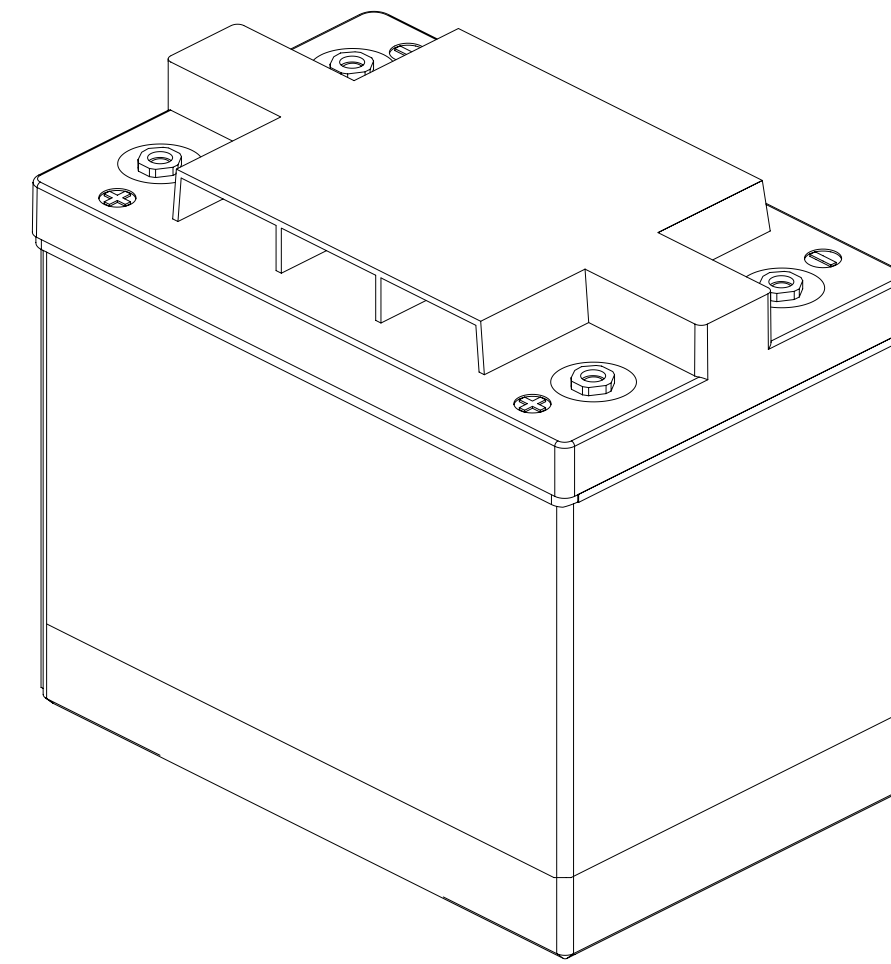
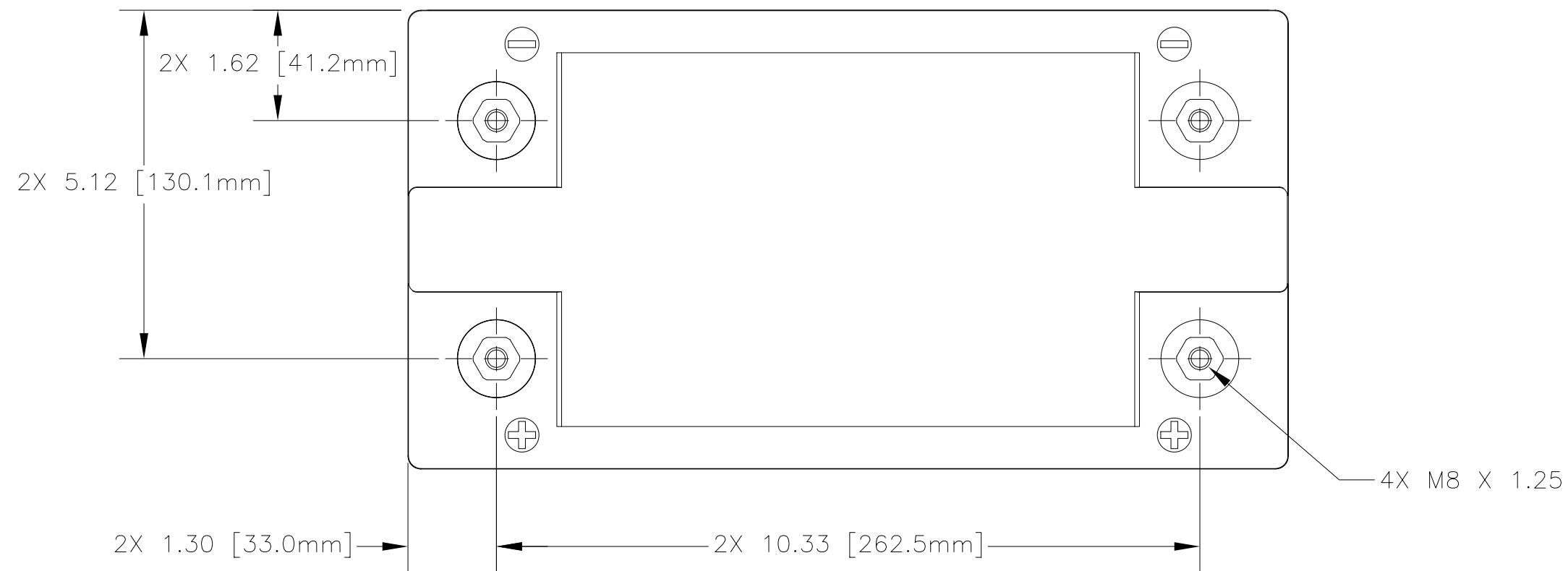


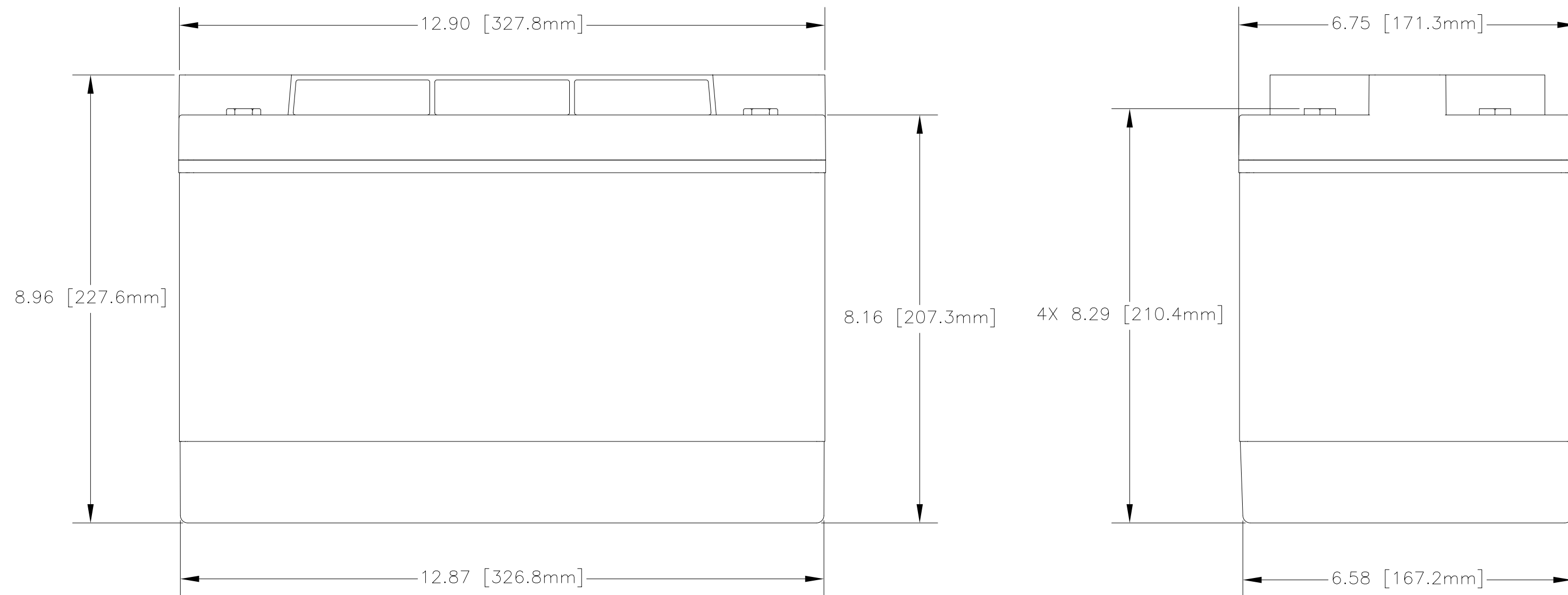
NOTES: UNLESS OTHERWISE SPECIFIED

1. SEE DRAWING NO. CB-00292 AND PROCEDURE P-1000 FOR ASSEMBLY AND TEST INSTRUCTION. PROCEDURES AND ASSEMBLY DRAWINGS ARE FOR INTERNAL USE ONLY.
2. ALL TESTING ARE IAW BATTERY COUNCIL INTERNATIONAL STANDARDS.
3. ALL DIMENSIONS ARE IN INCHES [MM].
4. ABBREVIATION USED IN TITLE IS: SEALED LEAD ACID (SLA).

REVISIONS			
REV	DESCRIPTION	DATE	APPROVED
A	REMOVED TERMINAL PROTECTORS	8/30/06	JBT



REFERENCE VIEW



ENVELOPE DRAWING

CAPACITY RATE		
PART NUMBER	PVX-5340T	PVX-6480T
NOMINAL WEIGHT	62 LBS [28.2 KG]	70 LBS [31.8 KG]
AMPERE HOUR CAPACITY @ 24 HOUR 1.75 VOLTS/CELL @ 77°F (25°C)	534 AH	648 AH

QTY REQD	CAGE CODE	PART OR IDENTIFYING NO.	NOMENCLATURE OR DESCRIPTION	MATERIAL SPECIFICATION	ITEM NO.
PARTS LIST					
UNLESS OTHERWISE SPECIFIED DIMENSIONS ARE IN INCHES TOLERANCES ARE:			CONCORDE BATTERY CORPORATION		
FRACTIONS DECIMALS ANGLES			2009 SAN BERNARDINO RD, W. COVINA, CA 91790		
± 1/32 .XX ± .06 ± 1'			TITLE BATTERY, SLA, 2 VOLT, PVX-6480T SERIES		
.XXX ± .030			DRAWN ELH 8/13/01		
TREATMENT NONE			CHECKED HRF 8/21/01		
FINISH NONE			APPROVED JBT 8/23/01		
SIMILAR TO NA			ISSUED NS 9/5/06		
ACT WT NA			SCALE NONE		
CALC WT NA			SHEET 1 OF 1		
			DWG NO. PVX-6480T		
			REV A		

ENGINEERING COPY 05SEP06