



# Large Side of Pole Mount

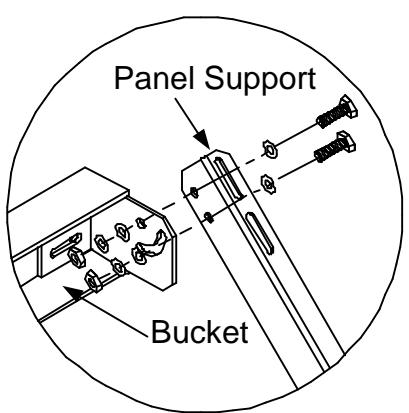
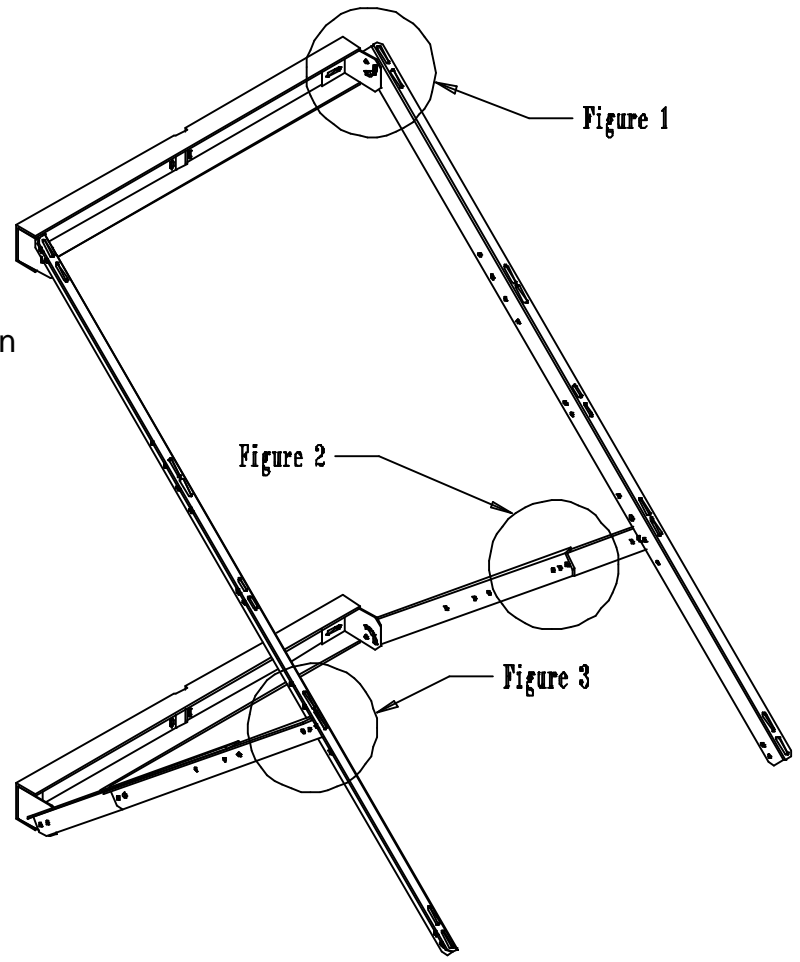
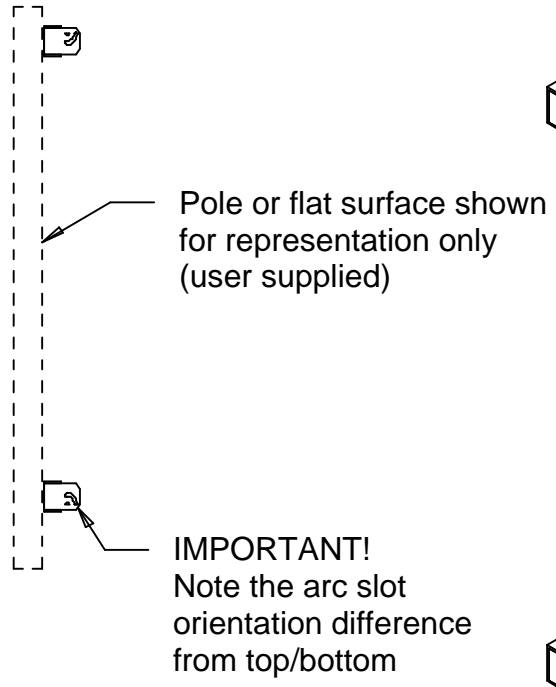


Figure 1

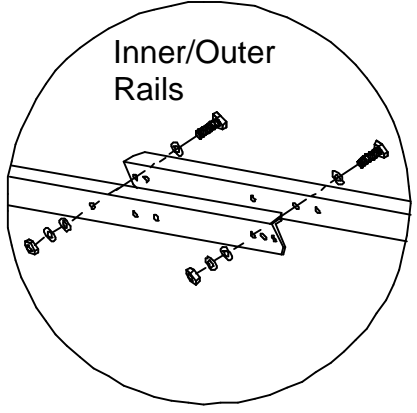


Figure 2

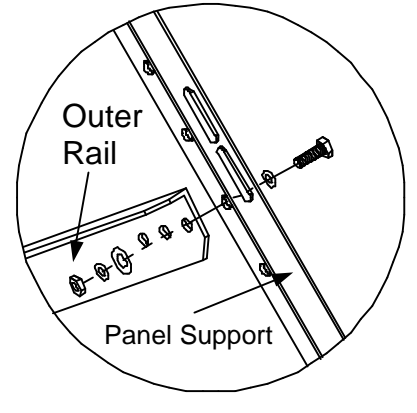
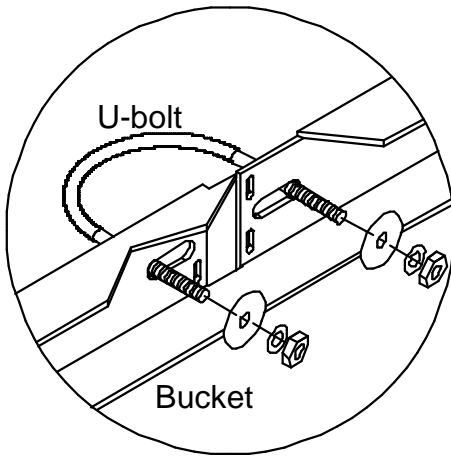


Figure 3



Note:

For pole mount installation use u-bolt (not included) to attach Cross Arm to pole. Do not exceed torque values for u-bolt as failure of Cross Arm may result. Make certain the large diameter washers are used under the lock nut and lock washer holding the Cross Arm in place.

### Installation Steps:

*Read all of the instructions prior to beginning assembly.*

1. Lay the modules face down on a protected surface in the appropriate orientation.
2. Lay the Panel Supports on the back of the modules as shown and attach using the hardware supplied in the "Standard Module Kit(s)". Once the modules are aligned properly and Panel Supports are parallel, tighten the hardware to the appropriate torque values.
3. Attach the Inner and Outer Rails to the Panel Supports using the supplied hardware and finger tighten.
4. Attach the Top and Bottom Buckets to the pole using U-bolts (not supplied) and finger tighten.
5. Attach the Panel Supports to the Top Bucket and Inner Rails to the Bottom Bucket using supplied hardware and finger tighten.
6. Adjust the tilt angle to the module manufacturers recommendation.
7. Tighten hardware to the following torque values:
  - a. 1/4-inch hardware to 7 ft·lbs
  - b. 5/16-inch hardware to 12 ft·lbs